



Amplifier for detector coils

High sensitivity

Automatic adaption

Self monitoring function

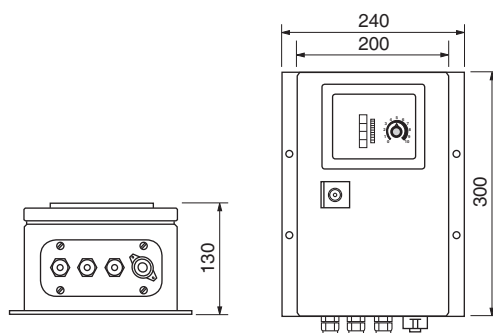
Reset function

230 / 115 V AC



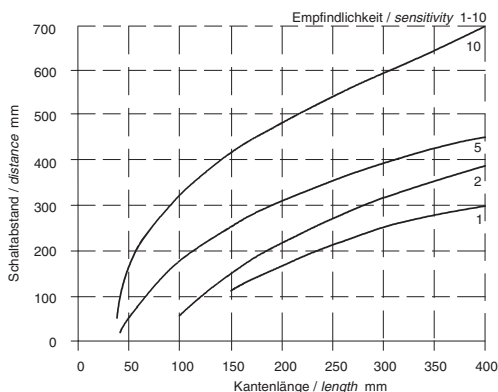
Design MU 3300

Dimensions



ID-No.	P81012
Type	MU 3300
Supply voltage [V]	230 / 115 AC ±10%
Current consumption [mA]	<60
Output	Relay / Change over contact
Switching voltage	250 V AC / 220 V DC
Switching current	4 A
Switching power	1000 VA / 60 W (cos φ = 1)
Ambient temperature [°C]	-20...+60
Time delay [s]	typ. 60
EMC class	A
Protection [EN 60529]	IP 65
Display	LED-array
Housing material	Steel

Sensitivity diagram (steel cube ST 37)

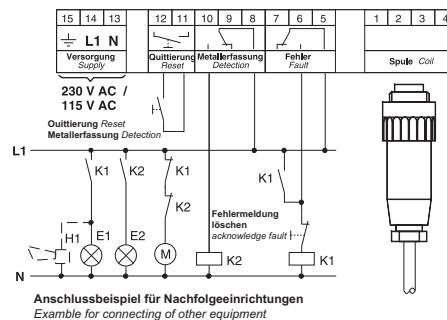


Connections

Relay „Detection“ decays when metal is detected.

Metal detection is acknowledged with reset button.

Relay „Fault“ decays on fault condition.



Anschlussbeispiel für Nachfolgeeinrichtungen
Example for connecting of other equipment

Accessories

see page 8.7