

# Product news

## Dynamic flow sensor Series SDN 500



### Compact - Fast response - Reliable

- Monitoring of flow pulses
- Suitable for short dispensing cycles in minimal lubrications
- Detects small amounts of dosing quantity
- Sensitivity adjustable
- Switching output PNP-NO

### Application

The SDN 501/1 GSP-DYN is a thermal flow sensor, which detects smallest dispensing volumes. It responds to the set in of the flow of a fluid, for example caused by the actuation of a dosing piston.

### Features

- Sensitivity adjustable by potentiometer
- Switch-off delay adjustable by potentiometer up to 10 seconds
- LED signal when puls detected
- Operation indication with green LED
- Usable with many mediums

### Type

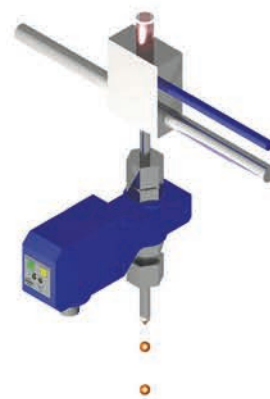
SDN 501/1 GSP-DYN P11396 • G1/4

### Accessory

Mounting bracket SDN 500 Z01296

### Mounting

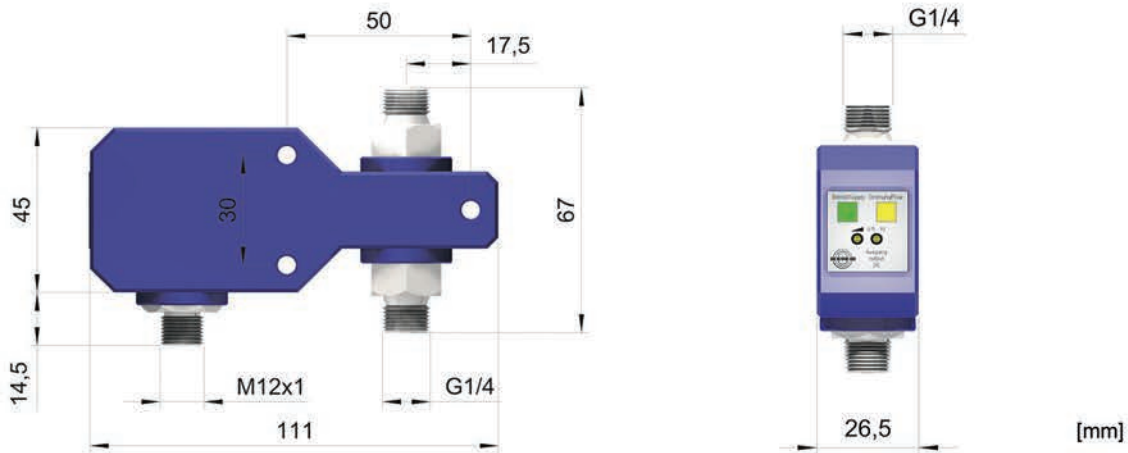
Hoses and pipe couplings can be easily connected using the G1/4 thread. The stable construction makes the sensors insensitive to moisture and vibrations. The sensor housing contains three openings for fastening it to a mounting bracket, available as an accessory.



### Operation and display

The adjustment of the sensor is made after installation in the lubrication system. During operation the setpoint is determined by use of the sensitivity potentiometer. A detected flow pulse is indicated by an output signal which duration can be prolonged up to 10 seconds.





## Technical data

Detection range

### Media

Dosing quantity min.	[ml]	0.02
Repeating time min.	[s]	1
Cross section pipe	[mm <sup>2</sup> ]	4 x 1

**Water, alcohol, oil and flowable grease**

ID-No.

P11396

### Type

**SDN 501/1 GSP-DYN**

Output S

PNP-NO, short-circuit proof

Supply voltage	[V]	21.6...26.4 DC
Current consumption	[mA]	≤ 60
Switching current	[mA]	≤ 200
Ambient temperature	[°C]	0...+50
Medium temperature	[°C]	0...+80
Time before availability	[s]	60
Reaction time	[s]	> 0.1

Switch-off delay [s] 0.5...10

Compressive strength	[bar]	10
Sensor material		Stainless steel 1.4571
Housing material		PBT, stainless steel
Display flow		LED yellow
Degree of protection	[EN 60529]	IP 54
Connection		M12 connector 3-pin

Adjustment of sensitivity 20-turns potentiometer

Adjustment of switch-off delay 20-turns potentiometer

